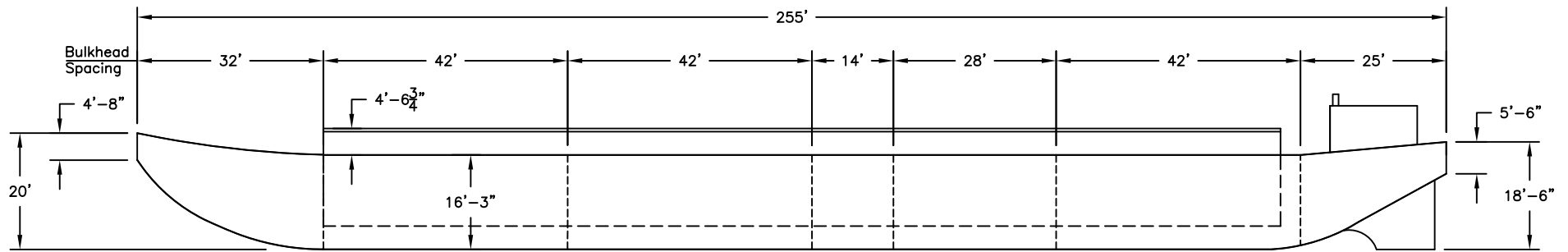
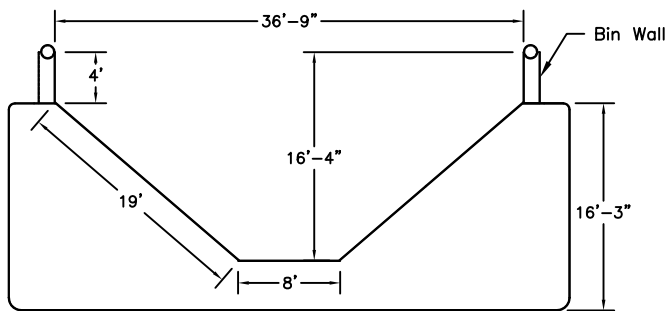


CSM Barge 30 – Deck Plan




CSM Barge 30 – Elevation View



Section A-A

Legend

-  – Clew
-  – Pad Eye
-  – Bollard
-  – Oval Hatch

 CS MARINE CONSTRUCTORS, INC.	
TITLE CSM Barge 30 – HOPPER BARGE	
Hopper Capacity: 3,000 Tons	DATE 03/16/09